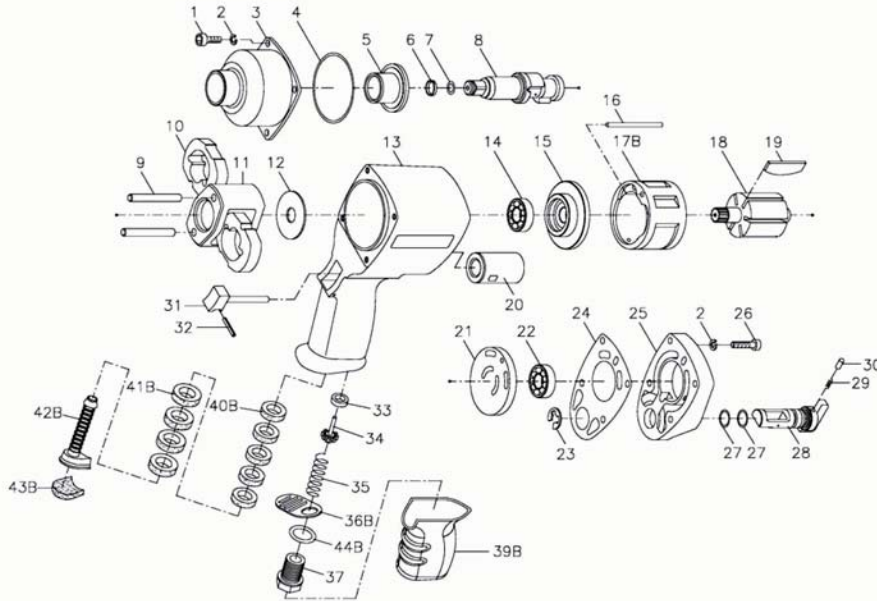




1/2" Twin Hammer Impact Wrench

Model # 1404 Polish / Black Clutch
 Model # 1404-2 Polish / Black Clutch, w/2" Ext. Anvil
 Model # 1404BG Black / Gold Clutch
 Model # 1404G-2 Polish / Gold Clutch, w/2" Ext. Anvil



Ref. No.	Part No.	Description	Q'ty /Tool	Ref. No.	Part No.	Description	Q'ty /Tool
1	SC800-01	Cap Screw	4	21	SC800-23	Rear End Plate	1
2	SC800-02	Spring Washer	8	22	SC800-24	Ball Bearing	1
3	SC802-01B	Hammer Case, Black	1	23	SC800-25	Snap Ring	1
	SC802-01G	Hammer Case, Gold	1	24	SC802-09	Rear Gasket	1
4	SC800-04	O-Ring	1	25	SC802-10	Rear Cover	1
5	SC801-04	Anvil Bushing	1	26	SC800-40	Cap Screw	4
6	SC800-07	Anvil Collar	1	27	SC800-28	O-Ring	2
7	SC800-08	O-Ring	1	28	SC800-29	Regulator	1
8	SC802-02	Anvil	1	29	SC800-30	Spring	1
	SC802-03	2" Anvil	1	30	SC800-31	Pin	1
9	SC800-10	Hammer Pin	2	31	SC802-11	Trigger	1
10	SC800-11	Hammer	2	32	SC800-33	Spring Pin	1
11	SC800-12	Hammer Cage	1	33	SC800-34	Bushing	1
12	SC800-13	Rear Washer	1	34	SC800-35	Valve Stem	1
13	SC802-04	Motor Housing, Polish	1	35	SC800-36	Spring	1
	SC802-04B	Motor Housing, Black	1	36B	SC802-12B	Exhaust Deflector	1
14	SC800-15	Ball Bearing	1	37	SC802-13	Air Inlet (1/4" NPT)	1
15	SC802-05	Front End Plate	1	39B	SC802-15B	Handle Rubber	1
16	SC802-06	Pin	1	40B	SC803-06B	Wool Felt 1/2"x13/16"x1/2"	5
17	SC802-07	Cylinder	1	41B	SC200-36	Wool Felt 9/16"x7/8"x1/2"	4
18	SC800-20	Rotor	1	42	SC802-14B	Tube	1
19	SC802-08	Rotor Blade	6	43B	SC802-16	Muffler	1
20	SC800-22	Valve Sleeve	1	44B	SC802-17	Washer	1