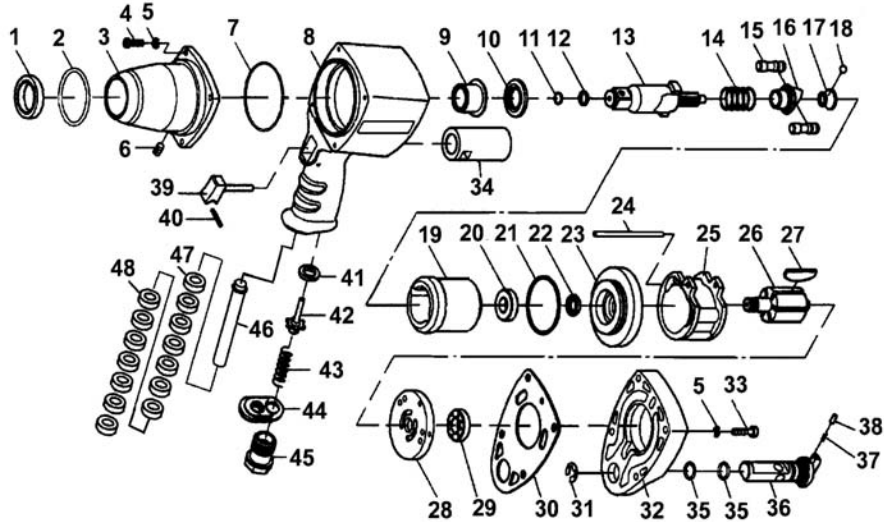




**3/4" Twin Clutch Impact Wrench**  
Model # 1601 Polish / Black Clutch



Ref. No.	Part No.	Description	Q'ty /Tool	Ref. No.	Part No.	Description	Q'ty /Tool
1	SC202-01	Oil Seal	1	26	SC200-19	Rotor	1
2	SC202-02	O-Ring	1	27	SC200-20	Rotor Blade	6
3	SC202-03	Hammer Case	1	28	SC200-21	Rear End Plate	1
4	SC202-04	Cap Screw	4	29	SC200-22	Ball Bearing 6202	1
5	SC200-03	Spring Washer	8	30	SC200-23	Rear Gasket	1
6	SC601-14	Screw	1	31	SC200-25	Snap Ring	1
7	SC200-04	O-Ring 68x2	1	32	SC200-24	Rear Cover	1
8	SC200-05	Motor Housing	1	33	SC200-26	Cap Screw	4
9	SC201-04	Anvil Bushing	1	34	SC200-27	Valve Sleeve	1
10	SC202-05	Spacer	1	35	SC800-28	O-Ring 12X2.5	2
11	SC202-06	O-Ring 10X2.5	1	36	SC200-28	Regulator	1
12	SC200-07	Anvil Collar	1	37	SC800-30	Spring	1
13	SC202-07	Anvil	1	38	SC800-31	Pin 15X4	1
	SC202-07-2	6" Anvil		39	SC200-29	Trigger	1
14	SC202-08	Spring	1	40	SC800-33	Spring Pin 2X18	1
15	SC202-09	Hammer Pin	2	41	SC200-30	Bushing	1
16	SC202-10	Cam	1	42	SC200-31	Sleeve Stem	1
17	SC202-11	Cam Foundation	1	43	SC200-32	Spring	1
18	SC202-12	Steel Ball	1	44	SC200-33	Exhaust Deflector	1
19	SC202-13	Hammer Cage	1	45	SC200-34	Air Inlet (3/8" NPT)	1
20	SC202-14	Ball Bearing	1	46	SC200-35	Tube(9/16")	1
21	SC200-14	O-Ring 58X3.1	1	47	SC200-36	Felts. 1/4"x15/16"x9/16"	7
22	SC200-15	Oil Seal	1	48	SC200-37	Wool Felt 9/16"x15/16"x1/4"	7
23	SC200-16	Front End Plate	1				
24	SC200-18	Pin 4.5X80L	1				
25	SC200-17	Cylinder	1				