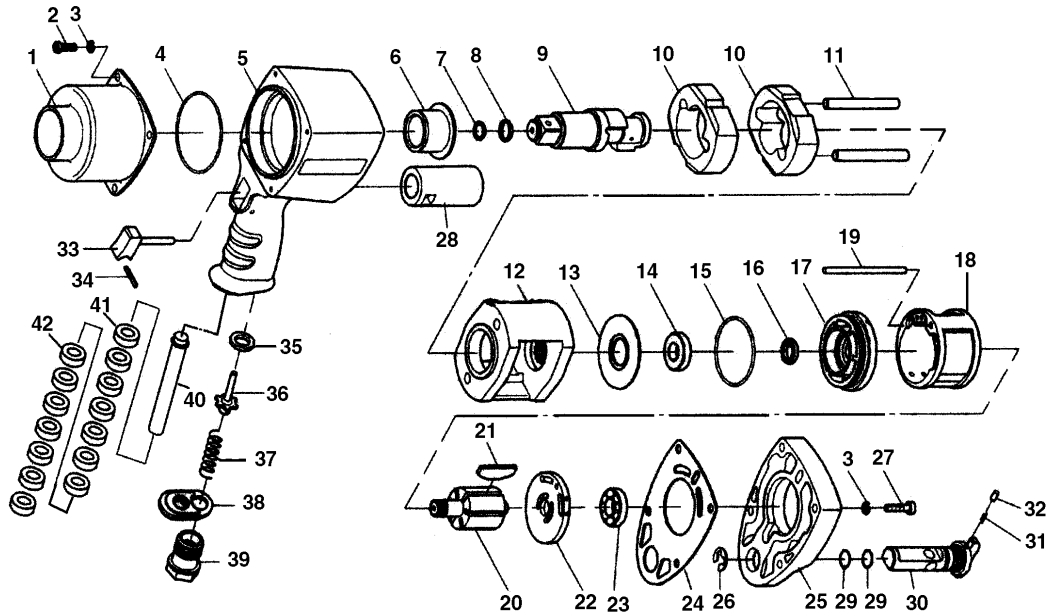


AIRCAT® Model No. 1603 3/4" Impact wrench/ Twin Hammer



Ref. No.	Part No.	Description	Q'ty /Tool	Ref. No.	Part No.	Description	Q'ty /Tool
1	SC200-01	Hammer Case	1	22	SC200-21	Rear End Plate	1
2	SC200-02	Cap Screw	4	23	SC200-22	Ball Bearing	1
3	SC200-03	Spring Washer	8	24	SC200-23	Rear Gasket	1
4	SC200-04	O-Ring	1	25	SC200-24	Rear Cover	1
5	SC200-05	Motor Housing	1	26	SC200-25	Snap Ring	1
6	SC200-06	Anvil Bushing	1	27	SC200-26	Cap Screw	4
7	SC805-05	O-Ring	1	28	SC200-27	Valve Sleeve	1
8	SC200-07	Anvil Collar	1	29	SC800-28	O-Ring	2
9	SC200-08	Anvil	1	30	SC200-28	Regulator	1
10	SC200-09	Hammer	2	31	SC800-30	Spring	1
11	SC200-10	Hammer Pin	2	32	SC800-31	Pin	1
12	SC200-11	Hammer Cage	1	33	SC200-29	Trigger	1
13	SC200-12	Rear Washer	1	34	SC800-33	Spring Pin	1
14	SC200-13	Ball Bearing	1	35	SC200-30	Bushing	1
15	SC200-14	O-Ring	1	36	SC200-31	Sleeve Stem	1
16	SC200-15	Oil Seal	1	37	SC200-32	Spring	1
17	SC200-16	Front End Plate	1	38	SC200-33	Exhaust Deflector	1
18	SC200-17	Cylinder	1	39	SC200-34	Air Inlet (3/8" NPT)	1
19	SC200-18	Pin	1	40	SC200-35	Muffler Tube	1
20	SC200-19	Rotor	1	41	SC200-36	Felts, 1/4"x7/8"x9/16"	7
21	SC200-20	Rotor Blade	6	42	SC200-37	Felts, 1/4"x15/16"x9/16"	7