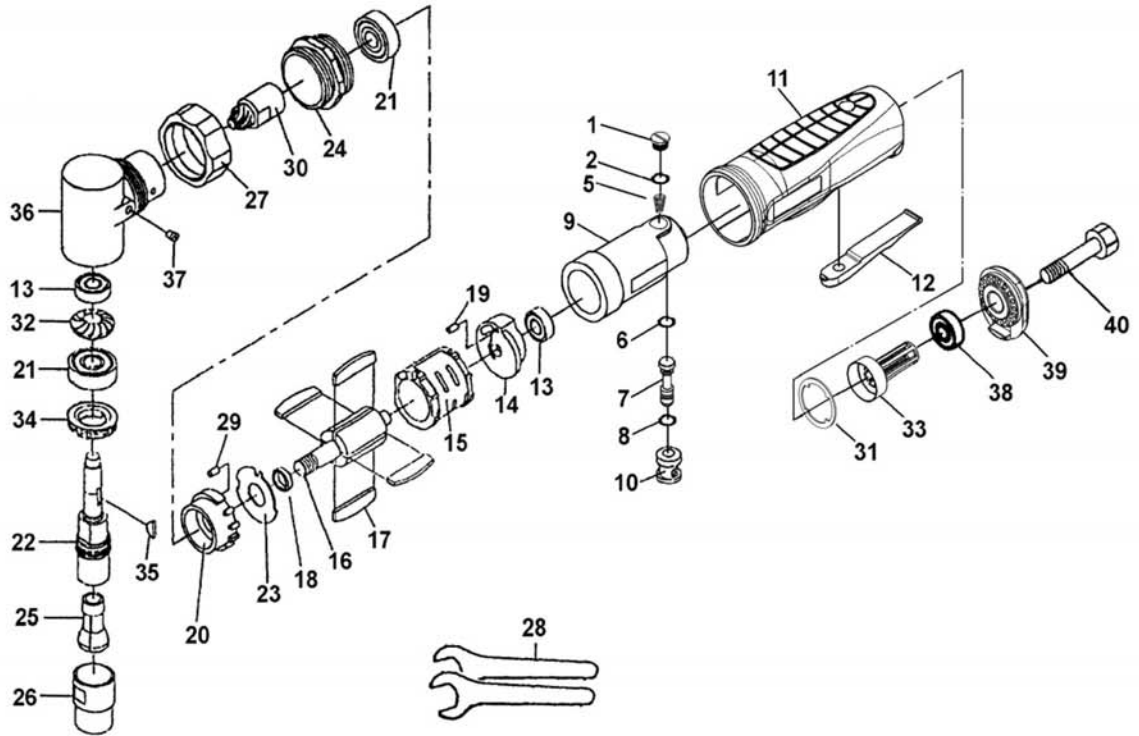




Mini Angle Grinder

Model NO. #6255 Mini Angle Grinder



Ref. No.	Part No.	Description	Q'ty /Tool	Ref. No.	Part No.	Description	Q'ty /Tool
1	AR800-01	Valve Screw	1	23	AD6255-12	Steel Plate	1
2	AR800-02	O-Ring	1	24	AD6255-13	Lock Ring	1
5	AR800-05	Spring	1	25	AD6255-14	Collet	1
6	AR800-06	O-Ring	1	26	AD6255-15	Collet Nut	1
7	AR800-07	Throttle Valve	2	27	AD6255-16	Housing Cap	1
8	AR800-08	O-Ring	1	28	AD6255-17	Wrench (11mm)	1
9	AR800-17B	Motor Housing	1		AD6255-18	Wrench (17mm)	1
10	AR800-09	Valve Bushing	1	29	AD6505-06	Pin	1
11	AR800-13D	Muffer Body, AIRCAT	1	30	AD5505-06	Pinion Gear	1
12	AR800-12	Trigger	1	31	AD6255-20	Washer	1
13	AD6255-03	Bearing	2	32	AR800-15	Spindle Gear	1
14	AD6255-04	Rear End Plate	1	33	AD6255-21	Tube	1
15	AD6255-05	Cylinder	1	34	AD6255-22	Clamp Nut	1
16	AD6255-06	Rotor	1	35	AD6255-23	Woodruff Key	1
17	AD6255-07	Rotor Blade	4	36	AD6255-24	Angle Head Housing	1
18	AD6255-08	Rotor Collar	1	37	AR800-14	Grease Cap	1
19	AR800-19	Locating Pin	1	38	AR800-11	Wool Felt	6
20	AD6255-09	Bearing Plate	1	39	AD6255-25	Exhaust Deflector	1
21	AD6255-10	Bearing	2	40	SPDD6201001A	Air Inle (1/4"PF)	1
22	AD6255-11	Spindle	1				